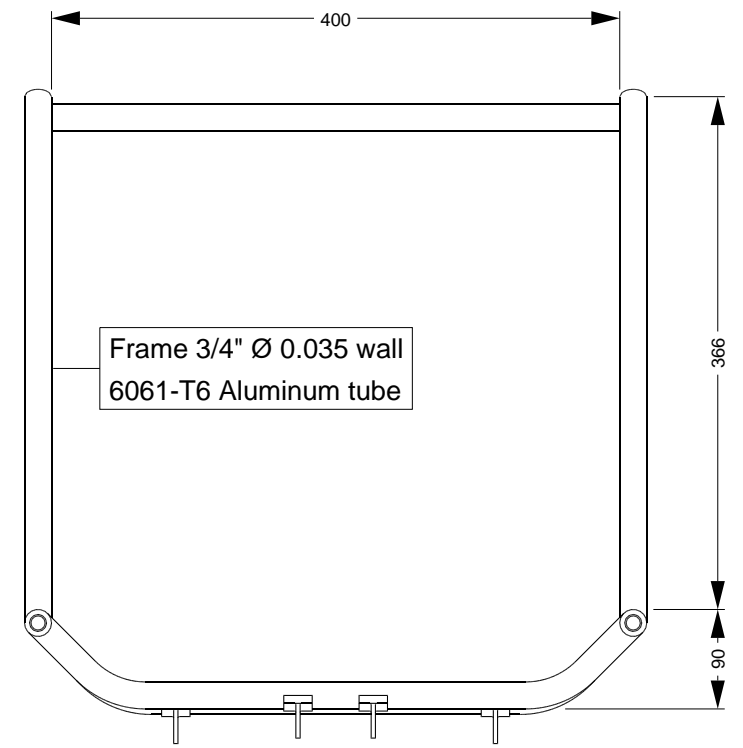
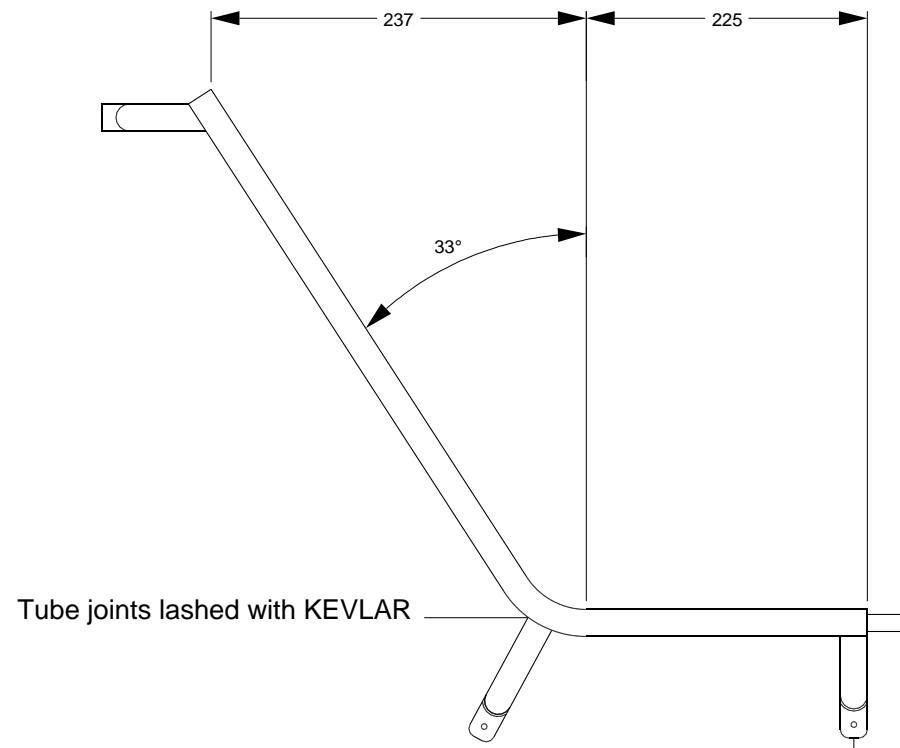


# AIRGLOW SEAT



Aluminum fittings lashed on with KEVLAR